

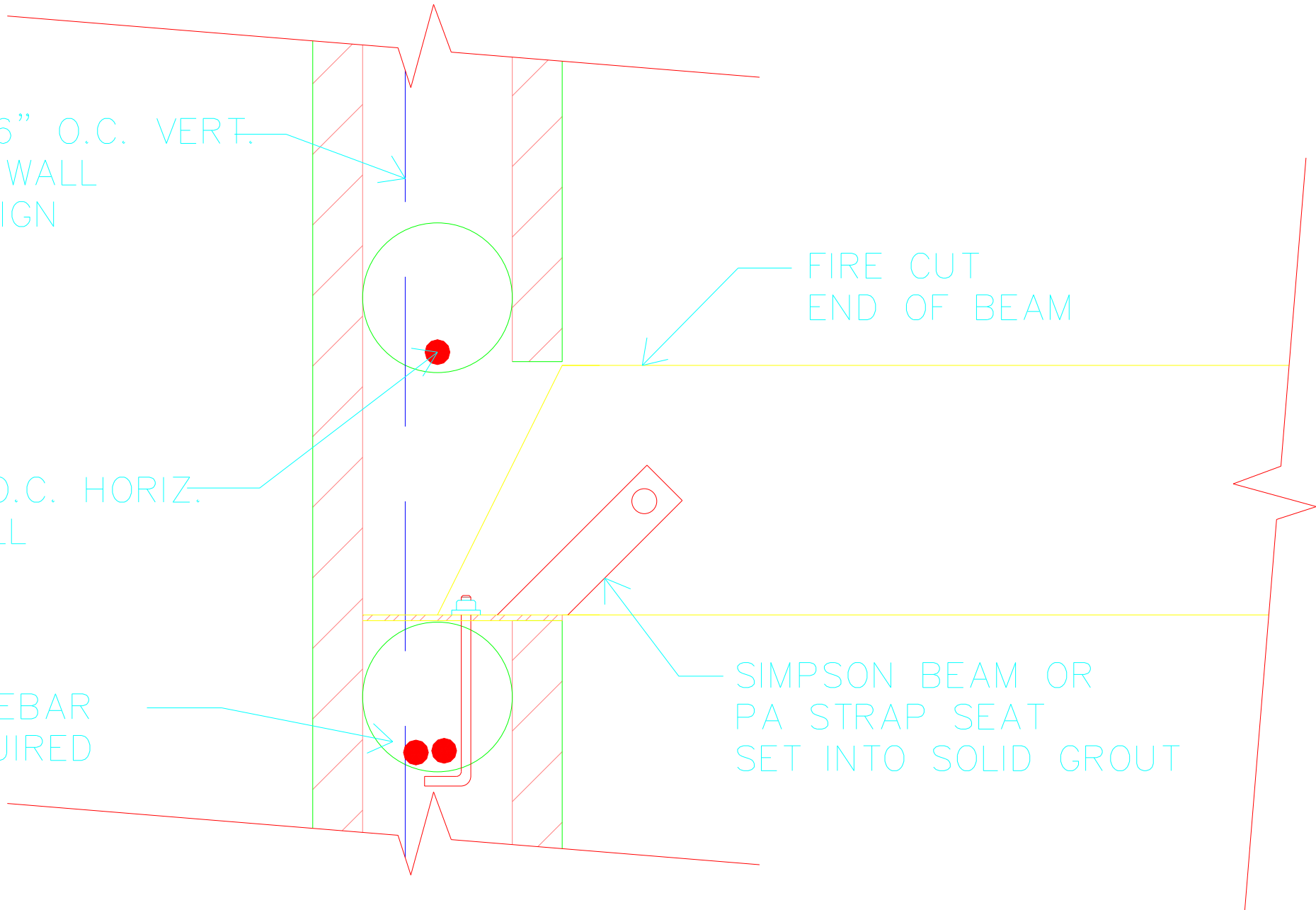
#4s @ 16" O.C. VERT.
@ APEX WALL
PER DESIGN

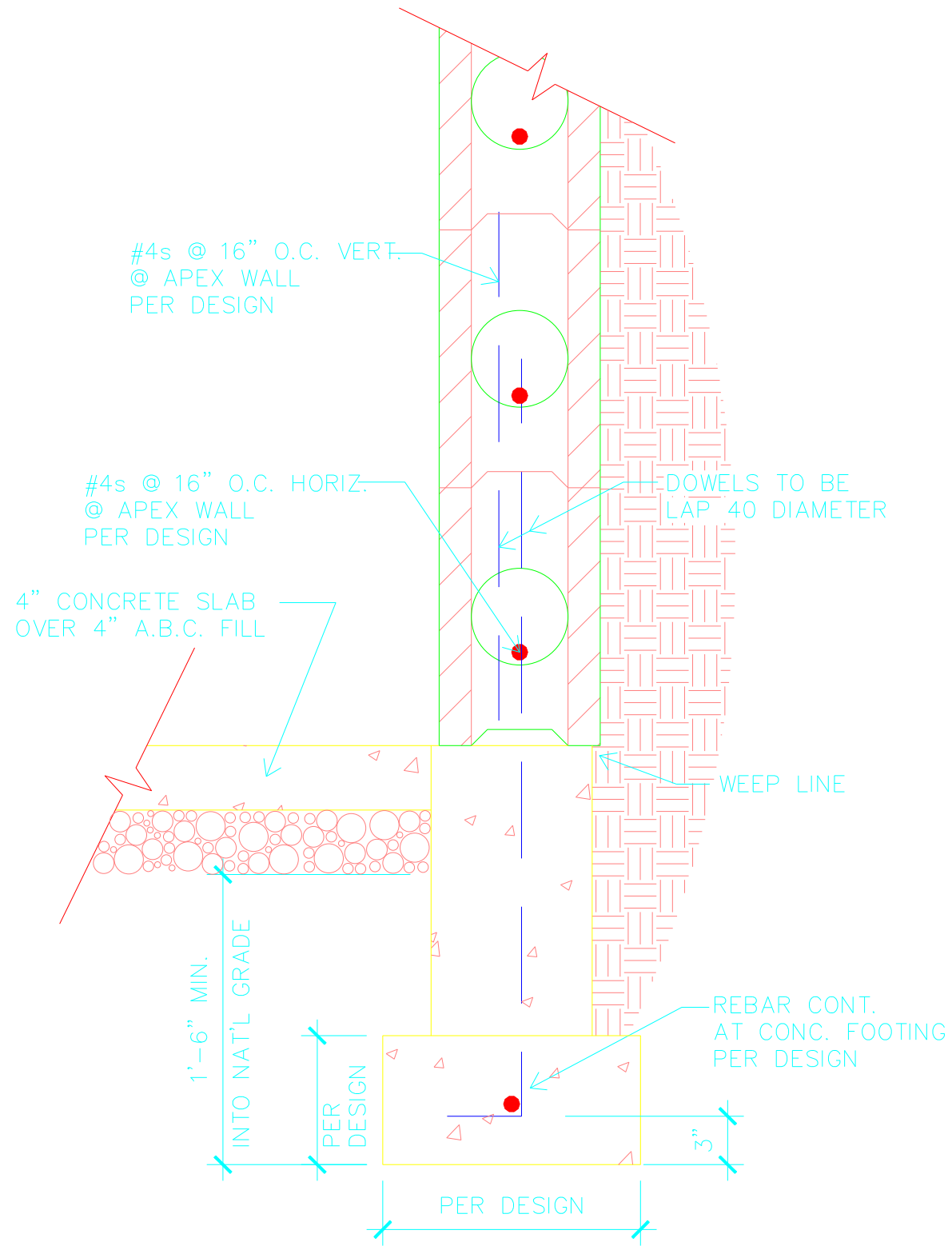
#4s @ 16" O.C. HORIZ.
@ APEX WALL
PER DESIGN

ADD'L REBAR
AS REQUIRED

FIRE CUT
END OF BEAM

SIMPSON BEAM OR
PA STRAP SEAT
SET INTO SOLID GROUT





#4 @ 32' O.C. VERT
@ APEX WALL
PER DESIGN

#4 @ 32' O.C. HORIZ.
@ APEX WALL
PER DESIGN

DOWELS TO BE
LAP 4D DIAMETER

4' CONCRETE SLAB
OVER 4' A.B.C. FILL

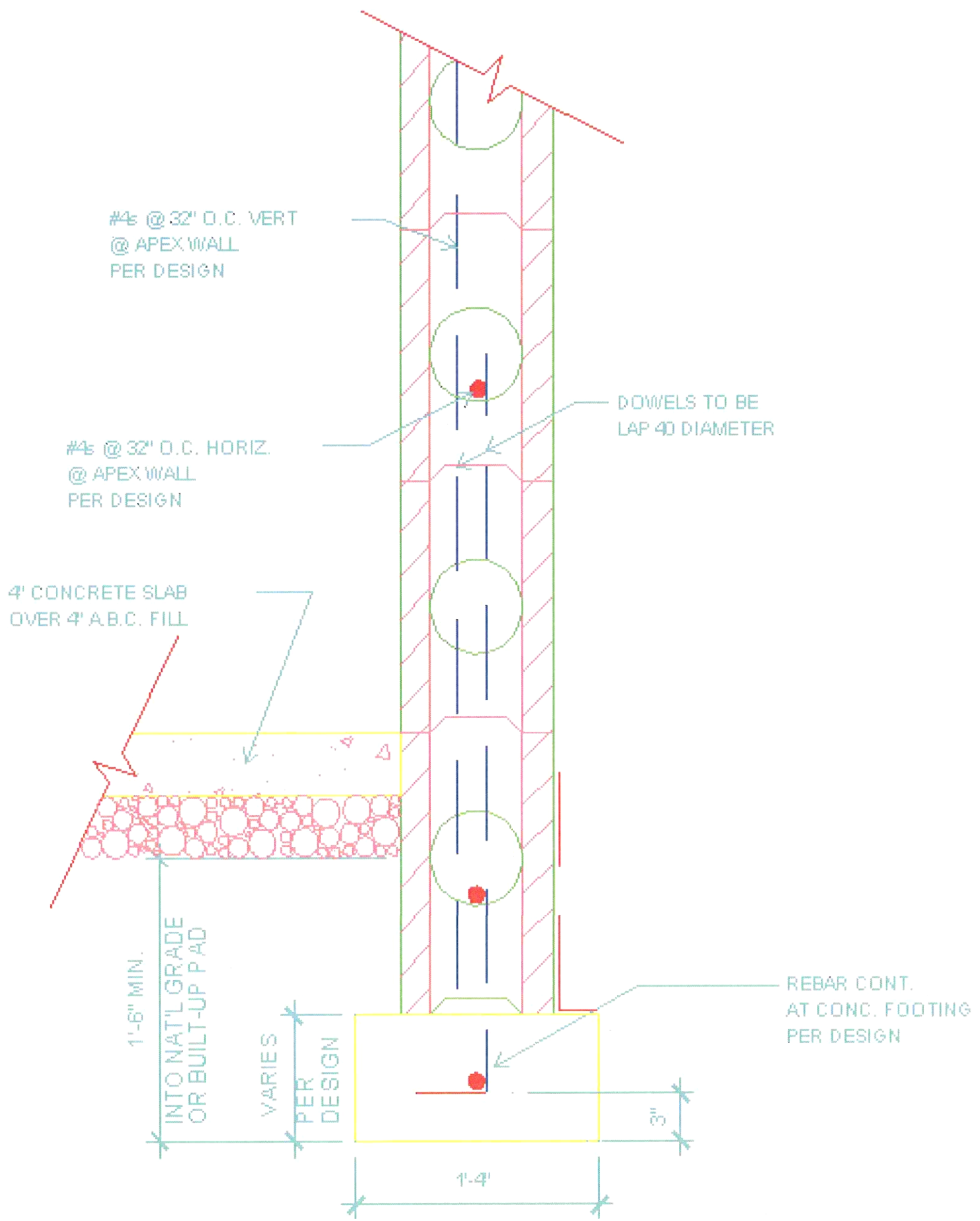
1'-6" MIN.
INTO NAT'L GRADE
OR BUILT-UP PAD

VARIES
PER
DESIGN

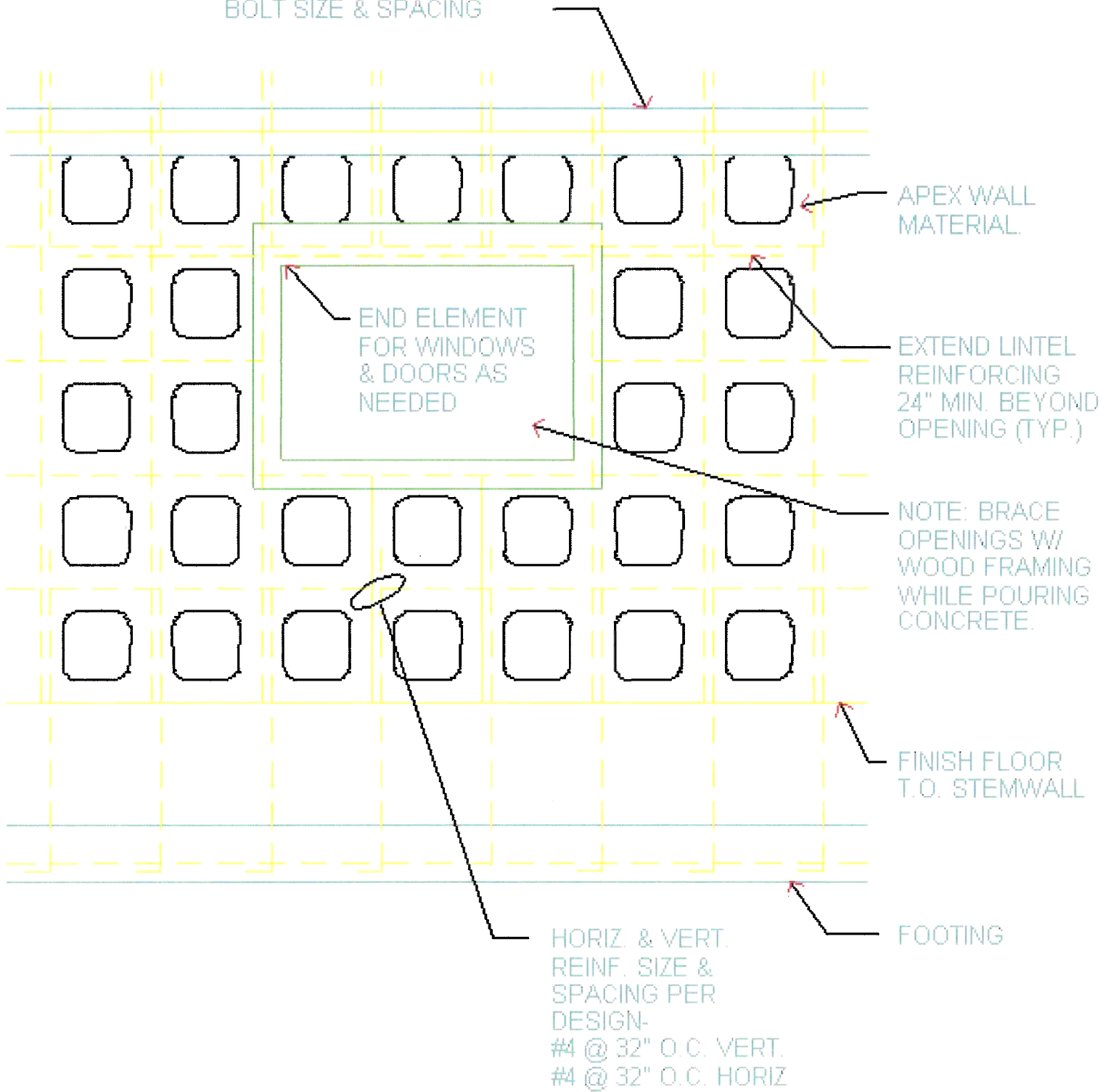
REBAR CONT.
AT CONC. FOOTING
PER DESIGN

1'-4"

3"



LEDGER - SEE DETAILS FOR
BOLT SIZE & SPACING



APEX WALL
MATERIAL.

EXTEND LINTEL
REINFORCING
24" MIN. BEYOND
OPENING (TYP.)

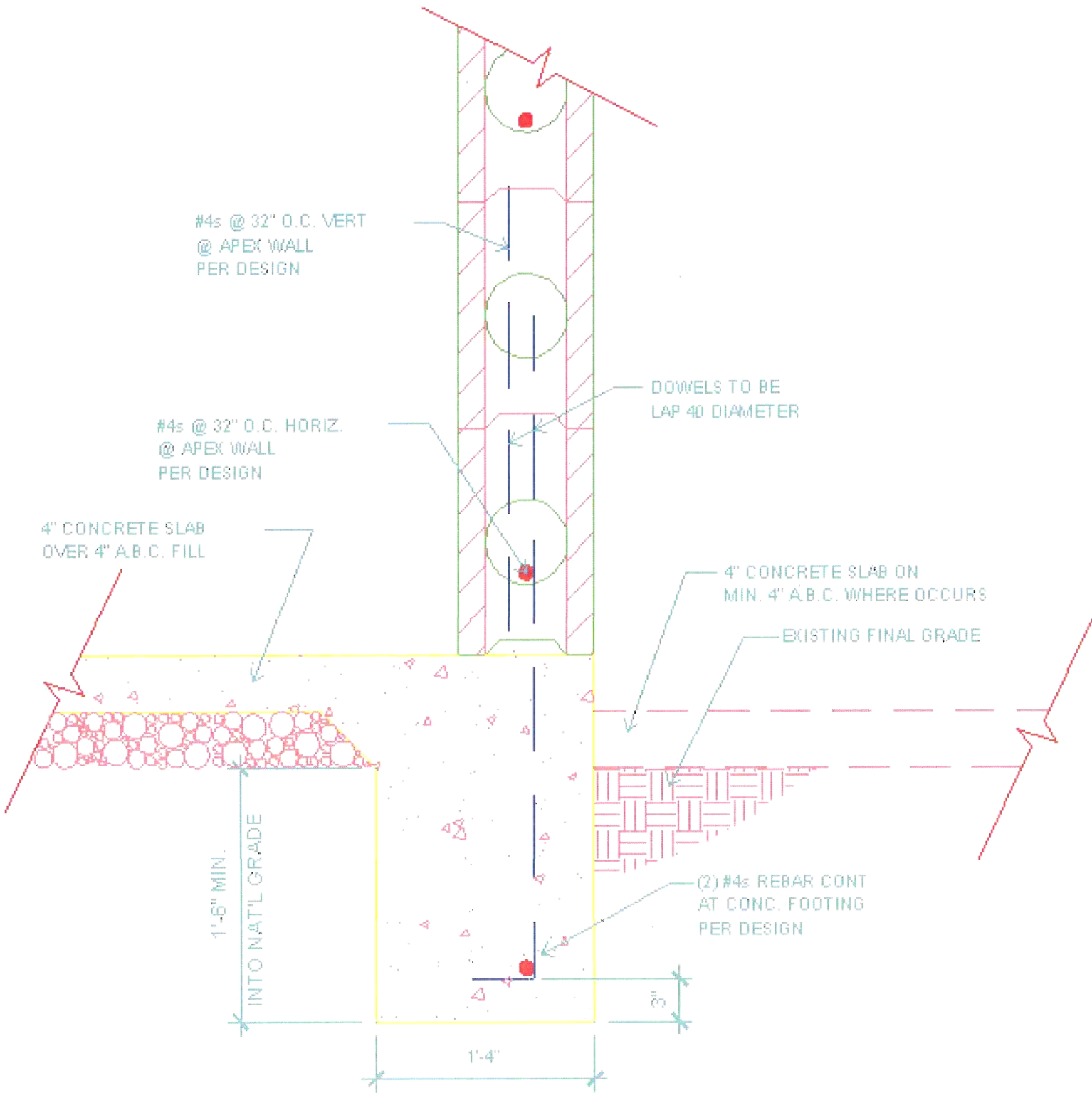
NOTE: BRACE
OPENINGS W/
WOOD FRAMING
WHILE POURING
CONCRETE.

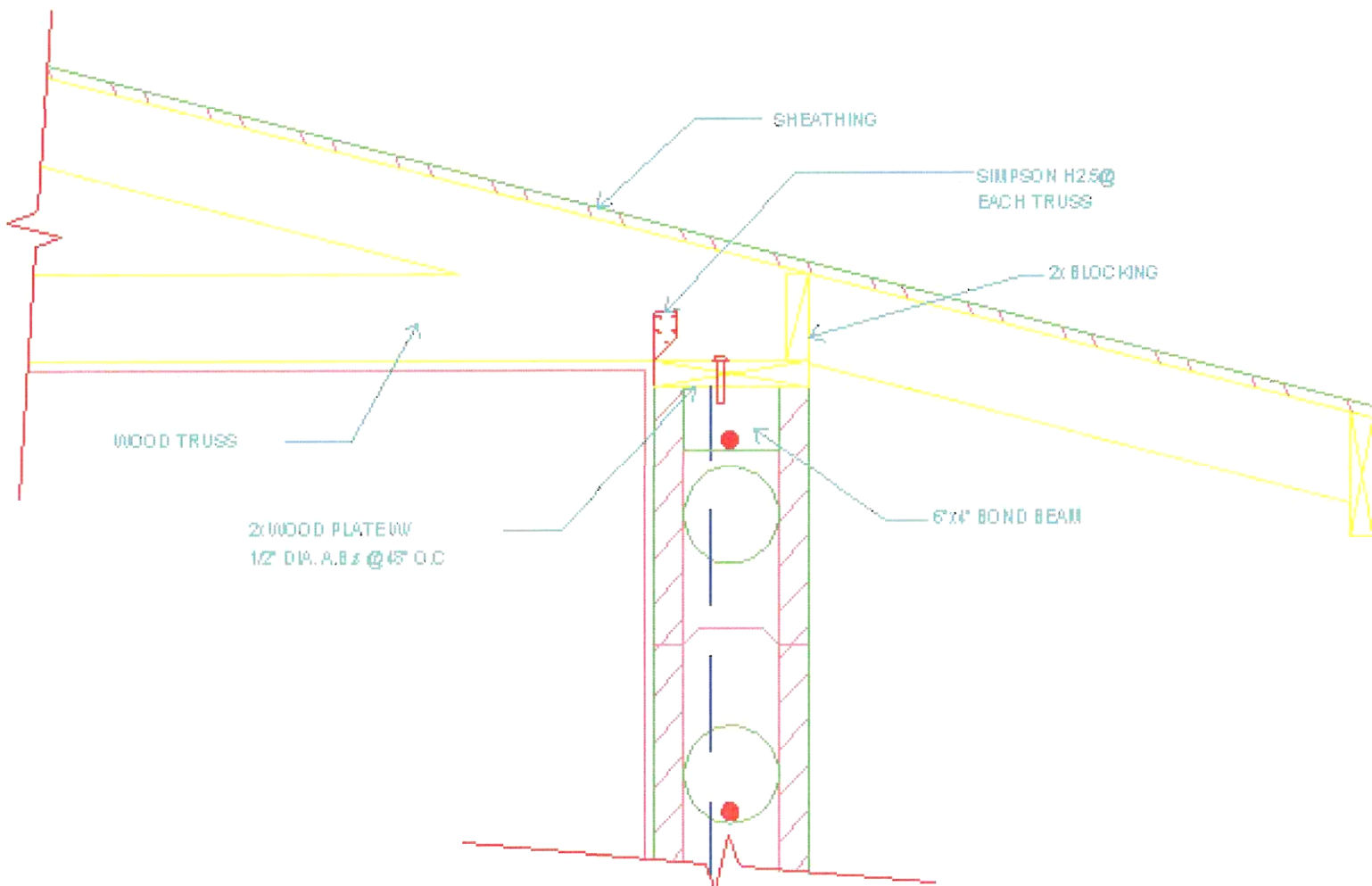
FINISH FLOOR
T.O. STEMWALL

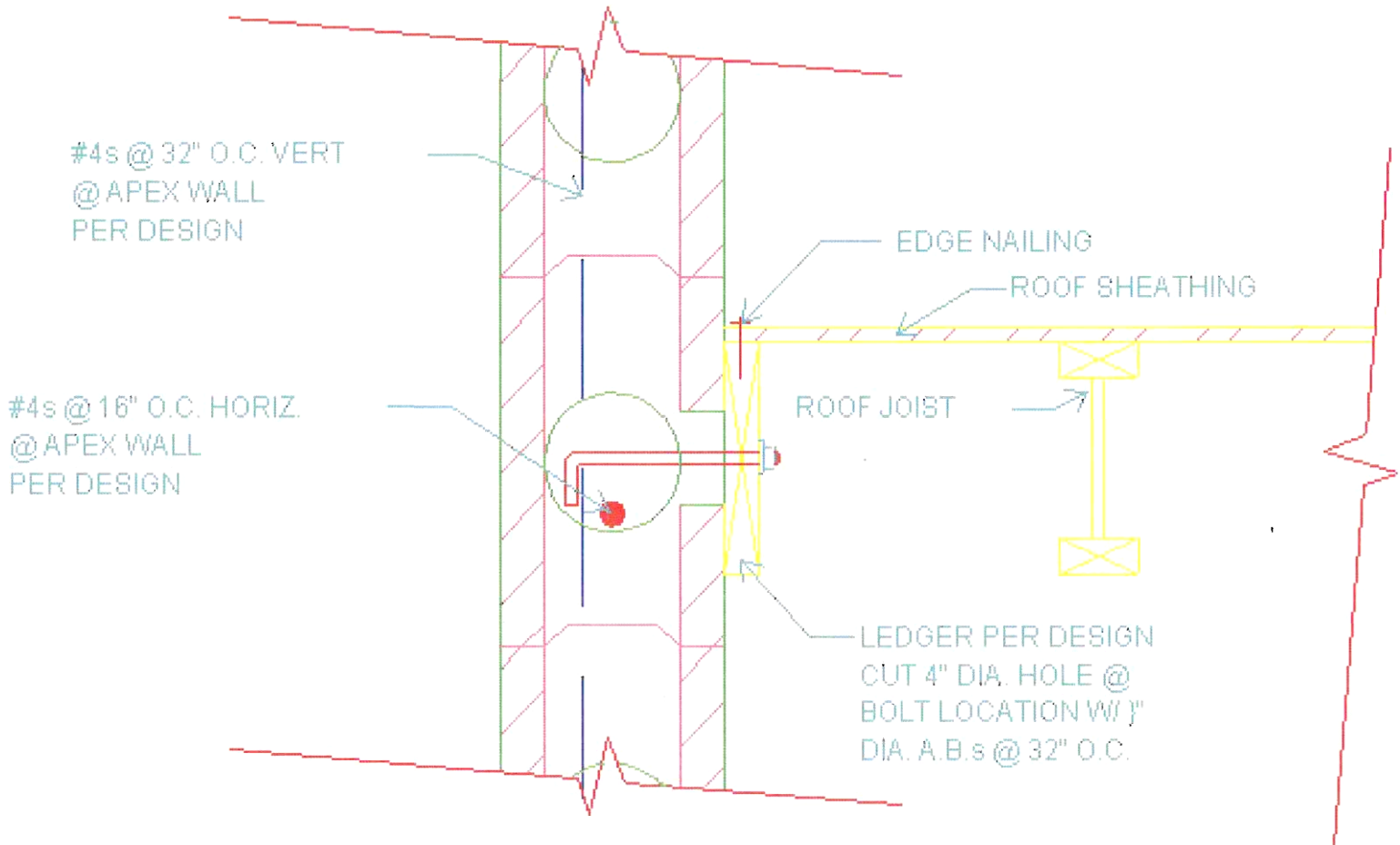
FOOTING

HORIZ. & VERT.
REINF. SIZE &
SPACING PER
DESIGN-
#4 @ 32" O.C. VERT.
#4 @ 32" O.C. HORIZ

END ELEMENT
FOR WINDOWS
& DOORS AS
NEEDED

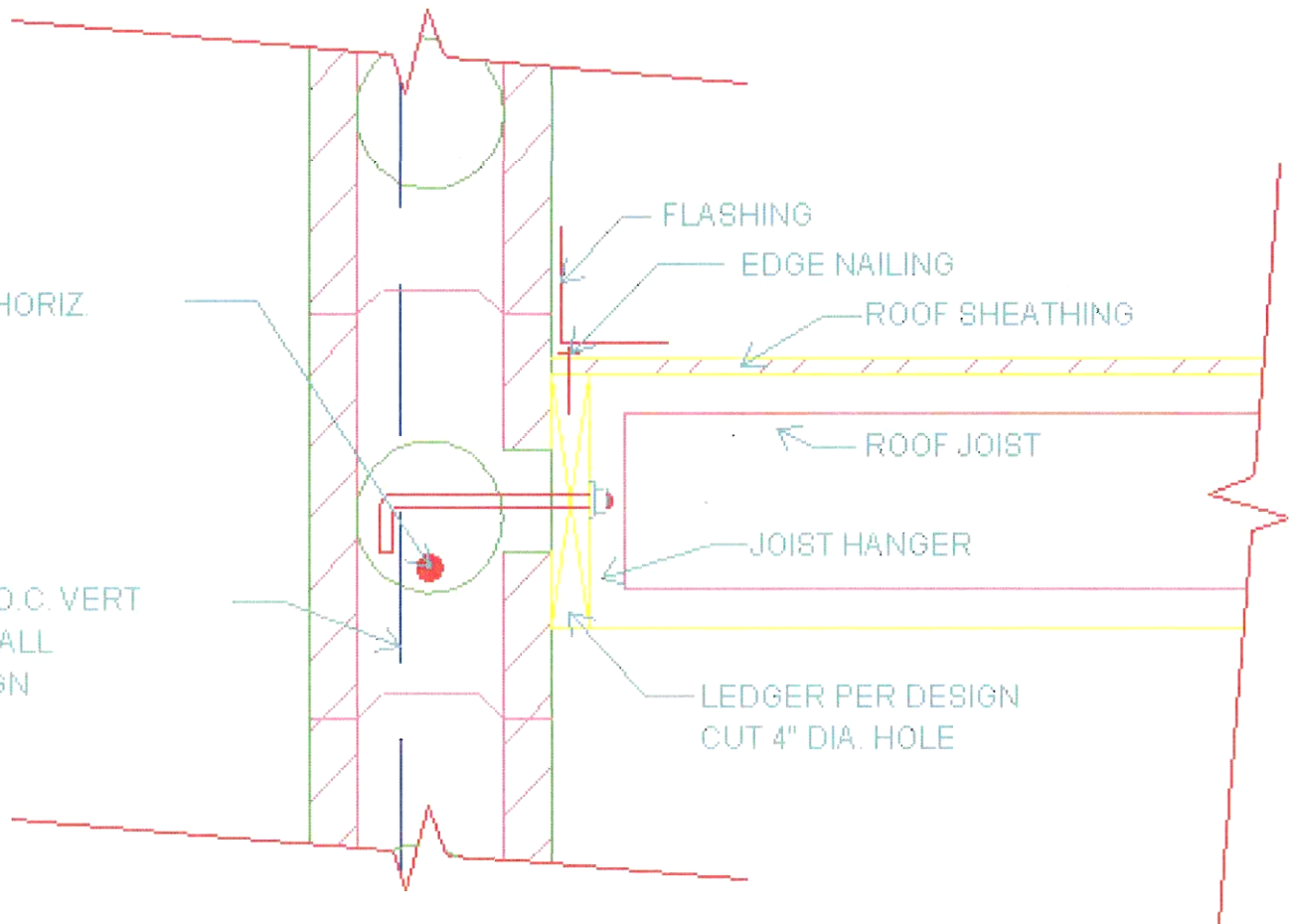






#4s @ 32" O.C. HORIZ
@ APEX WALL
PER DESIGN

#4s @ 32" O.C. VERT
@ APEX WALL
PER DESIGN



#4 @ 32" O.C. VERT.
@ APEX WALL
PER DESIGN

#4 @ 32" O.C. HORIZ.
@ APEX WALL
PER DESIGN

DOWELS TO BE
LAP 40 DIAMETER

4' CONCRETE SLAB
OVER 4' A.B.C. FILL

(2) #4 REBAR CONT
AT CONC. FOOTING
PER DESIGN

1'-6" MIN.
INTO NAT'L GRADE

1'-4"

3"

